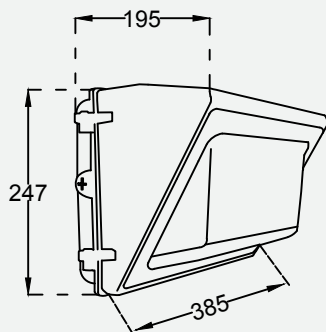


Drome

DRM-70120



The perfect combination of traditional looking design and industry defining selectable features, making it the ideal solution for commercial and residential applications.

*Die cast aluminium housing providing optimal heat dissipation and high resistance to weather conditions

*Tritone colour selectable, Multi-watts selectable

*IP65 waterproof rating

*High efficacy of 105lm/W

*Wide operating ambient temperature range of -25°C to 40°C

*Built-In Photocell

*Five years warranty

KEY INFORMATION

Lumen Output	7350lm/12600lm
Input Power	70W/120W (Watt-select)
Hole Cutout Size	N/A
Install	SURFACE MOUNT
Dimming Options	NON-DIMMABLE
Fitting Colour	Dark bronze polyester powder
Warranty	5 yr
IP Rating	IP65
Ik Rating	IK06
IC Rating	N/A

PHOTOMETRIC

Efficacy	105 lm/W
LED	SMD
CCT	3000/4000/5000K (CCT-Selectable)
CRI	>80
Beam Angle	120°

ELECTRICAL

Driver	Integral
Supply Input	100-240V,50/60Hz
Power Factor	>0.9
Useful life @Ta 25°(L70)	50,000hrs

CONSTRUCTION

Housing	Die Casting aluminum
Optics	Polycarbonate Diffuser
Adjustable Angle	N/A
Fixings/Hardware	Mounting Screws
Connection Type	Terminal Block
Total Weight	3.0KG
Dimensions	385x247x195mm
Operating Ambient Temp.	-20 to 45°C
Electrical Classification	Class 1