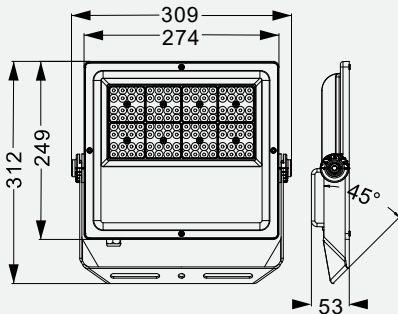


Lumos

LUS100



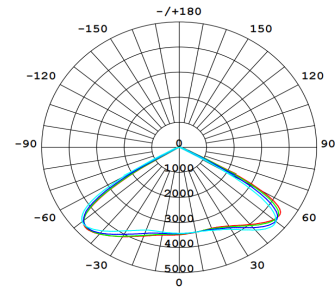
Ultra-efficient
offset bracket ,
super slim body,
LED Flood light

Perfect for any exterior space
from residential small
wattage designs through to
high performance commercial
applications

Accessories
Optional Twin Bracket



Photometric Diagram



Unit: cd
 CO/180 120.0deg
 C90/270 120.0deg

KEY INFORMATION

| | |
|------------------|--------------|
| Lumen Output | 13,000 lm |
| Input Power | 100W |
| Hole Cutout Size | N/A |
| Install | N/A |
| Dimming Options | NON-DIMMABLE |
| Fitting Colour | BLACK |
| Warranty | 5 yr |
| IP Rating | IP66 |
| Ik Rating | IK08 |
| IC Rating | N/A |

PHOTOMETRIC

| | |
|------------|---------------------|
| Efficacy | 130 lm/W |
| LED | SMD |
| CCT | 3000/4000/5000K |
| CRI | >80 |
| Beam Angle | 90°/120°/Asymmetric |

ELECTRICAL

| | |
|--------------------------|-----------------|
| Driver | Integral |
| Supply Input | 90-305V,50/60Hz |
| Power Factor | >0.95 |
| Useful life @Ta 25°(L70) | 50,000hrs |
| Emergency time | N/A |
| Sensor | N/A |

CONSTRUCTION

| | |
|---------------------------|-----------------|
| Housing | Aluminium |
| Optics | Tempered Glass |
| Adjustable Angle | 180° |
| Fixings/Hardware | Mounting Screws |
| Connection Type | N/A |
| Total Weight | 4.6KG |
| Dimensions | 309x312x53mm |
| Operating Ambient Temp. | -20 to 45°C |
| Electrical Classification | Class 1 |