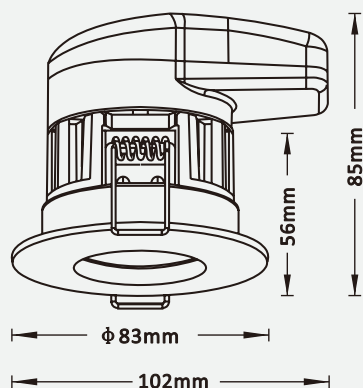


# Mars

Mas70



MARS is a multi-function fixed fire rated led downlight.

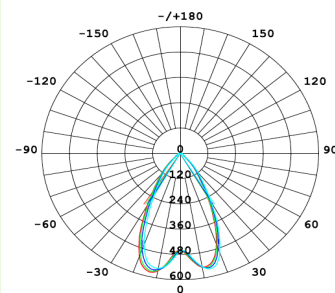
A low maintenance solution that is Ideal for residential apartments, foyers, retail, restaurants and clubs where an energy efficient and reliable lamp performance is essential.

Optional  
 Triac/DALI/0-10V Dimming



CCT-Select

Photometric Diagram



Unit: cd  
 CO/180 62.6deg  
 C90/270 61.6deg

## KEY INFORMATION

Lumen Output	560 lm
Input Power	7W
Hole Cutout Size	70mm
Install	Recessed
Dimming Options	Triac/DALI/0-10V DIMMABLE
Fitting Colour	WHITE
Warranty	5 yr
IP Rating	IP44
Ik Rating	N/A
IC Rating	IC-4

## PHOTOMETRIC

Efficacy	80 lm/W
LED	COB
CCT	2700/3000/4000K(CCT-select)
CRI	>90
Beam Angle	60°

## ELECTRICAL

Driver	Internal
Supply Input	200-240V,50/60Hz
Power Factor	>0.95
Useful life @Ta 25°(L70)	50,000hrs
Emergency time	N/A
Sensor	N/A

## CONSTRUCTION

Housing	Diecasting Aluminum
Optics	Optics Lens
Adjustable Angle	N/A
Fixings/Hardware	N/A
Connection Type	N/A
Total Weight	220 g
Dimensions	φ83xH85mm
Operating Ambient Temp.	-20 to 45°C
Electrical Classification	Class II