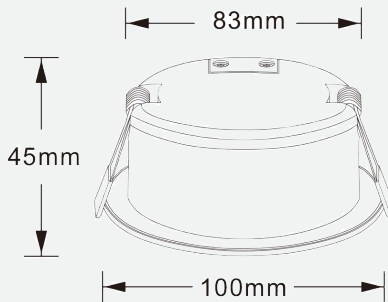


Stellar

StI90



STELLAR multi-function fixed or gimble 60 degree beam reflector style downlight.

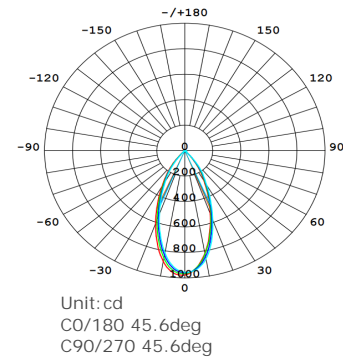
A low maintenance solution that is Ideal for residential apartments, foyers, retail, restaurants and clubs where an energy efficient and reliable lamp performance is essential.

Optional
Triac/DALI/0-10V Dimming



CCT-Select

Photometric Diagram



KEY INFORMATION

Lumen Output	720 lm
Input Power	9W
Hole Cutout Size	90mm
Install	Recessed
Dimming Options	Triac/DALI/0-10V DIMMABLE
Fitting Colour	WHITE
Warranty	5 yr
IP Rating	IP44
Ik Rating	N/A
IC Rating	IC-4

PHOTOMETRIC

Efficacy	80 lm/W
LED	COB
CCT	3000/4000/5000K(CCT-select)
CRI	>90
Beam Angle	45°/60°

ELECTRICAL

Driver	External
Supply Input	200-240V,50/60Hz
Power Factor	>0.95
Useful life @Ta 25°(L70)	50,000hrs
Emergency time	N/A
Sensor	N/A

CONSTRUCTION

Housing	Diecasting Aluminum
Optics	Optics Lens
Adjustable Angle	60°
Fixings/Hardware	N/A
Connection Type	N/A
Total Weight	360 g
Dimensions	φ108xH36mm
Operating Ambient Temp.	-20 to 45°C
Electrical Classification	Class II