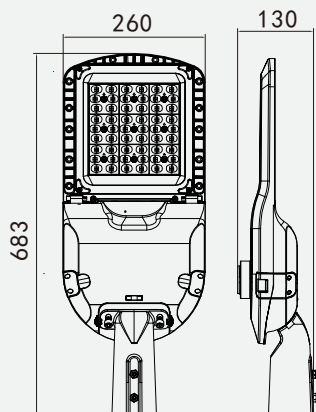


Uranx

Urx150



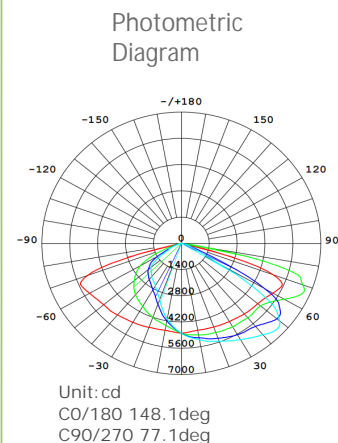
A slimline performance street lantern with improved efficacy and output.

Uranx offers a choice of optics with asymmetrical distribution including an area optic.

Optional Accessories
 Shorting Cap/PE Cell
 DALI/0-10V Dimming



CCT-Select



KEY INFORMATION

| | |
|------------------|----------------------------------|
| Lumen Output | 19,500 lm |
| Input Power | 150W |
| Hole Cutout Size | N/A |
| Install | N/A |
| Dimming Options | NON-DIMMABLE/DALI/0-10V DIMMABLE |
| Fitting Colour | BLACK |
| Warranty | 5 yr |
| IP Rating | IP66 |
| Ik Rating | IK08 |
| IC Rating | N/A |

PHOTOMETRIC

| | |
|------------|-----------------------------|
| Efficacy | 130 lm/W |
| LED | SMD |
| CCT | 3000/4000/5000K(CCT-select) |
| CRI | >80 |
| Beam Angle | 80°x150° |

ELECTRICAL

| | |
|--------------------------|-------------------|
| Driver | Integral |
| Supply Input | 90-305V,50/60Hz |
| Power Factor | >0.95 |
| Useful life @Ta 25°(L70) | 50,000hrs |
| Emergency time | N/A |
| Sensor | PE CELL Available |

CONSTRUCTION

| | |
|---------------------------|--------------------------------|
| Housing | Aluminium |
| Optics | Tempered Glass |
| Adjustable Angle | 90° |
| Fixings/Hardware | Mounting Screws |
| Connection Type | N/A |
| Total Weight | 6.1 KG |
| Dimensions | 683x260x109mm(No shorting cap) |
| Operating Ambient Temp. | -20 to 45°C |
| Electrical Classification | Class 1 |